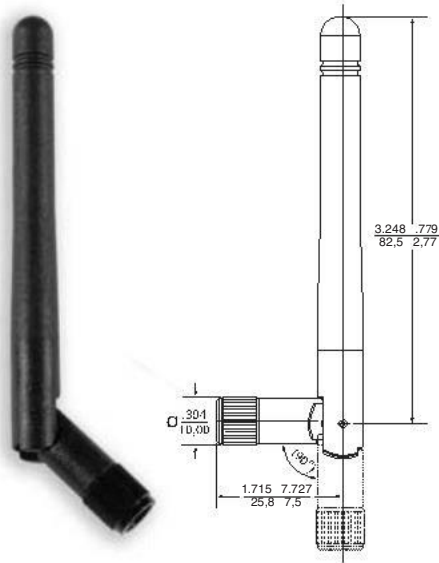


Wireless External Antenna for 2.4 GHz Applications

Pulse Part Number CW1030



Features

- Shortest antennas in product line
- For WLAN devices using WiFi (802.11b/g), Bluetooth® and ZigBee™
- Omni-directional radiation pattern provides broad 360° coverage
- One-quarter wavelength dipole configuration
- Connection options easily integrate with OEM designs

Connector

- Reverse SMA (Male)*
- SMA (Male)

* Default Configuration - Please contact Pulse Applications Engineering for assistance in ordering connectors

Weight: 6.3 grams

Carton: 20/bag, 500/carton

Unless otherwise specified, all tolerances are $\pm .010 / 0.25$

Electrical Specifications @ 25 °C

Note: This part number is lead-free and RoHS compliant. No additional suffix or identifier is required

Part Number	Frequency [GHz]	Gain [dBi]	Impedance [Nom]	VSWR	Polarization	Electrical Length	Radiation
CW1030	2.4 - 2.5	2.0	50 Ω	≤ 2.0	Vertical	1/4, dipole	Omni

Wireless External Antenna for 2.4 GHz Applications

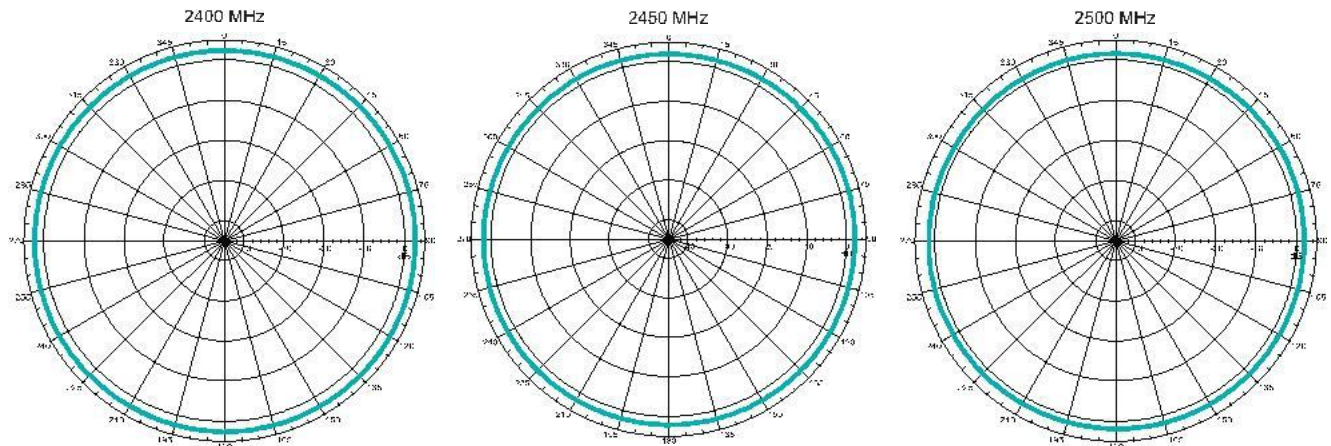
Pulse Part Number CW1030

Application Notes

Omni-directional antennas provide a uniform, donut-shaped, 360° radiation pattern. The omni-directional pattern is suitable for point-to-multipoint broadcasting in all directions. The antenna is primarily used for WLAN applications. However, it can also be used for a variety of other applications within the specified frequency range. When used as an access point, the antenna is ideally located at the center of the coverage area.

Gain Performance

Horizontal Position



Vertical Position

