

Wearable Receive Wireless Charge Coil

Pulse Part Number CWMRR124F-0



Features

- Magnetic Coil: antifreeze plate + coil
- Meet the Qi international standard, be customized according to order
- Ultrathin 、 compact 、 high efficiency 、 low heat
- Length and gap of the outgoing line is customizability

Application

- Wearable wireless charge

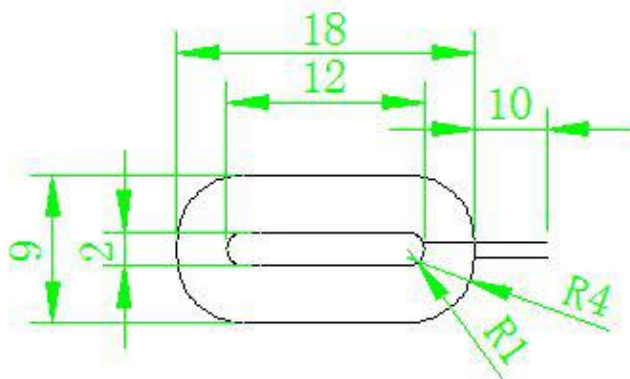
Electrical specifications

Output Voltage(V)	5
Maximum Output Current (mA)	100-250(max)
Inductance(uH)	$11.5 \pm 10\%$
Internal Resistance (mΩ)	$954 \pm 10\%$
Wire Diameter (mm)	$0.15\text{mm} \pm 0.05$
Testing Environment	100KHZ 1V

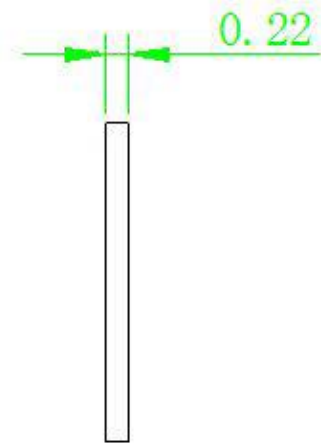
Wearable Receive Wireless Charge Coil

Pulse Part Number CWMRR124F-0

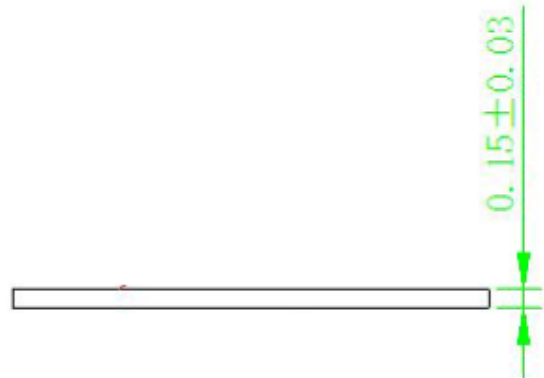
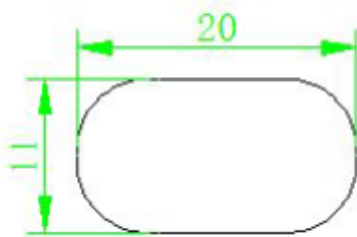
Mechanical dimensions



Thickness



Coil



Antifreeze plate