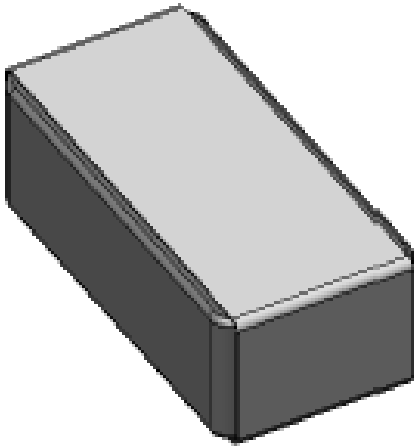


WLAN Ceramic Chip Antenna

Pulse Part Number SZ0318C



Features

- Compact size W x L x H (3.2 x 1.6 x 1.1 mm)
- Low weight (33 mg)
- Fully SMD compatible
- Lead free soldering compatible
- Tape and reel packing
- RoHS Compliant Product

Applications

- WLAN 5150-5850 MHz

Electrical specifications @ +25 ° C

Note: Electrical characteristics depend on test board (GP) size and antenna positioning on GP and Ground Clearance area size.

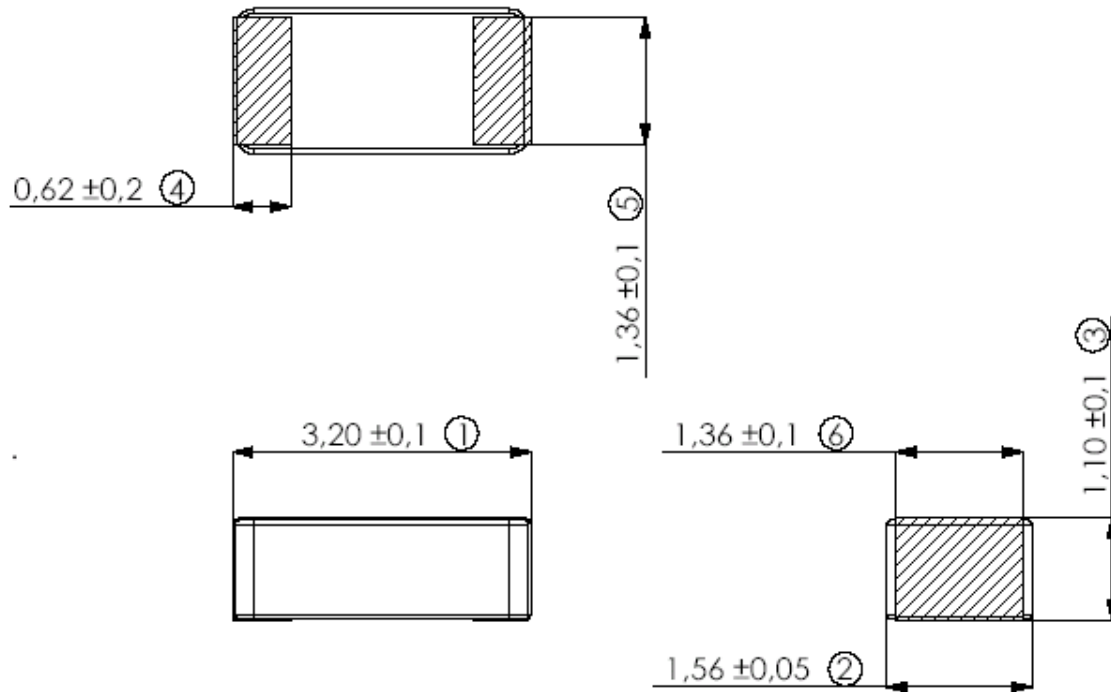
Typical performance (testboard size 80x37 mm, PWB ground clearance area 4.25 x 5.25 mm)

Frequency Range [MHz]	Max Gain [dBi]	Return loss min. [dB]	Efficiency [%]/[dB]	Impedance [Ω]	Operating Temperature [$^{\circ}$ C]
5150 – 5850	3.5(peak) 2.5(band edges)	-15	70 / -1.55(peak) 65/-1.9(band edges)	50	-40 to +85

WLAN Ceramic Chip Antenna

Pulse Part Number SZ0318C

Terminal Configuration and antenna dimensions



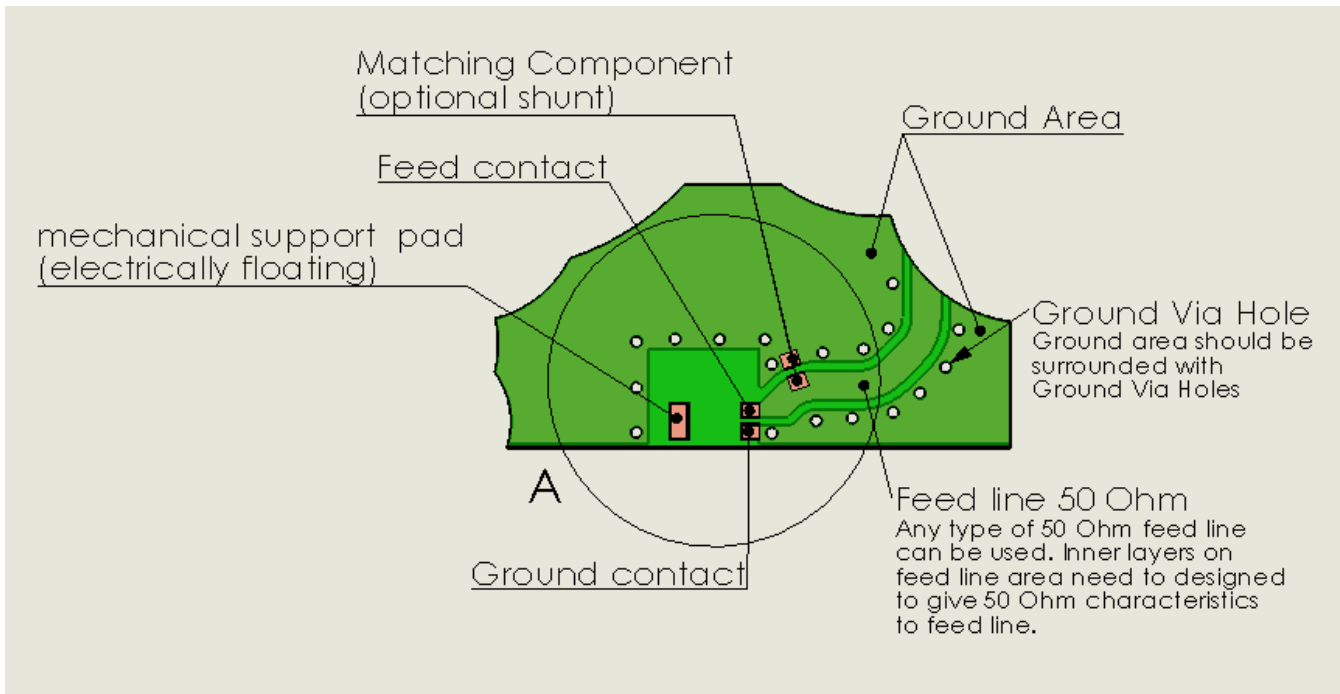
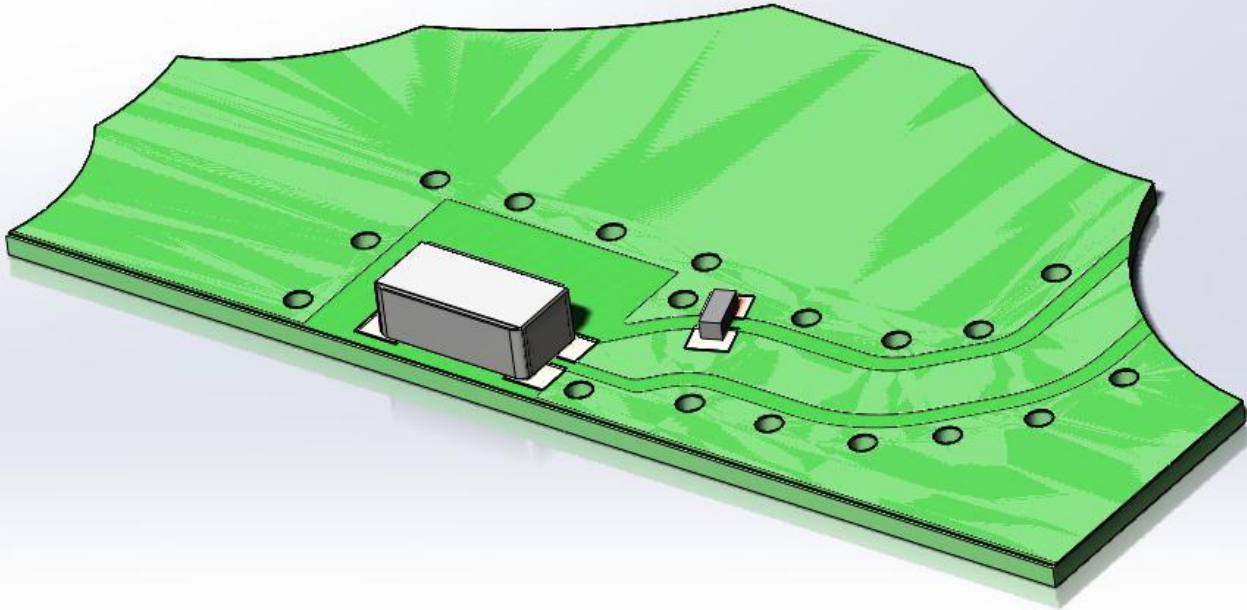
No.	Terminal Name	Terminal Dimensions
1	Feed / Support	0.62 x 1.36 mm
2	Feed / Support	0.62 x 1.36 mm

Antenna is symmetrical. Either of terminals 1 or 2 can be Feed / Support

WLAN Ceramic Chip Antenna

Pulse Part Number SZ0318C

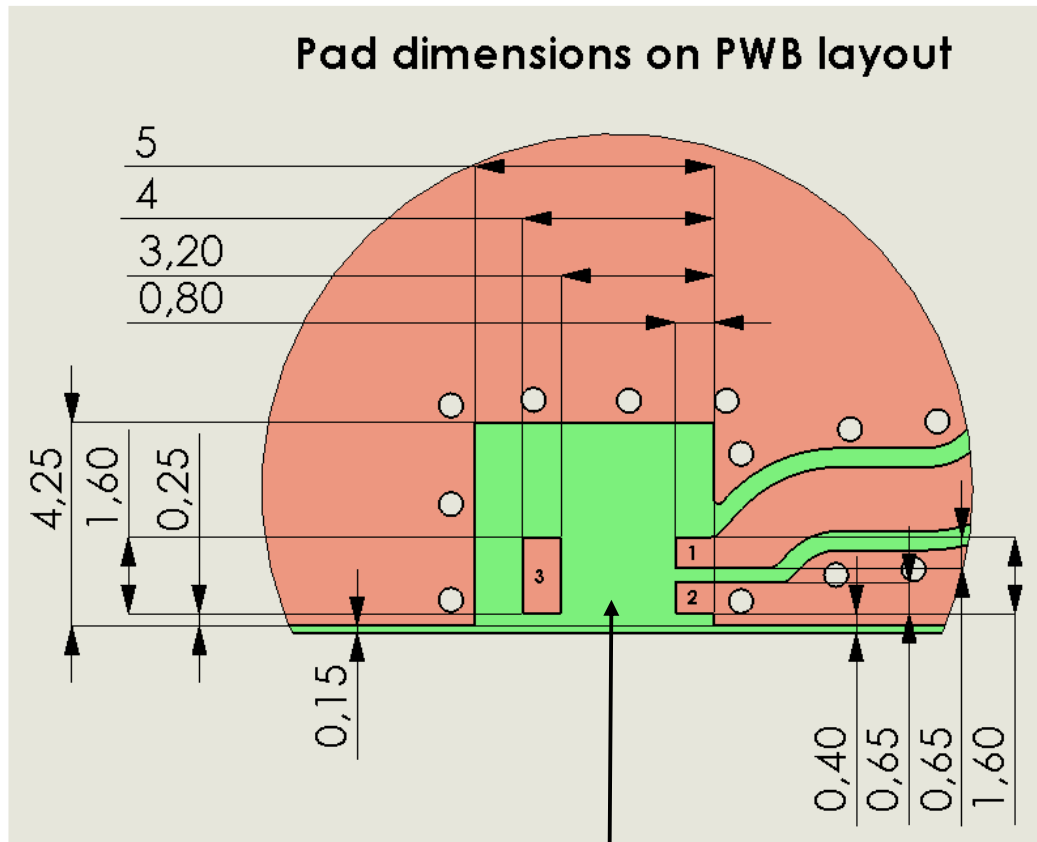
PWB Layout



WLAN Ceramic Chip Antenna

Pulse Part Number SZ0318C

Ground clearance area and pad dimensions



GROUND CLEARANCE AREA (ALL LAYERS)
 (4.25 x 5.00 mm) all metallization should
 be removed from all PWB layers

PCB contact pads		
No.	Terminal Name	Terminal Dimensions
1	Feed	0.80 x 0.65 mm
2	GND	0.80 x 0.65 mm
3	Support Pad	0.80 x 1.60 mm

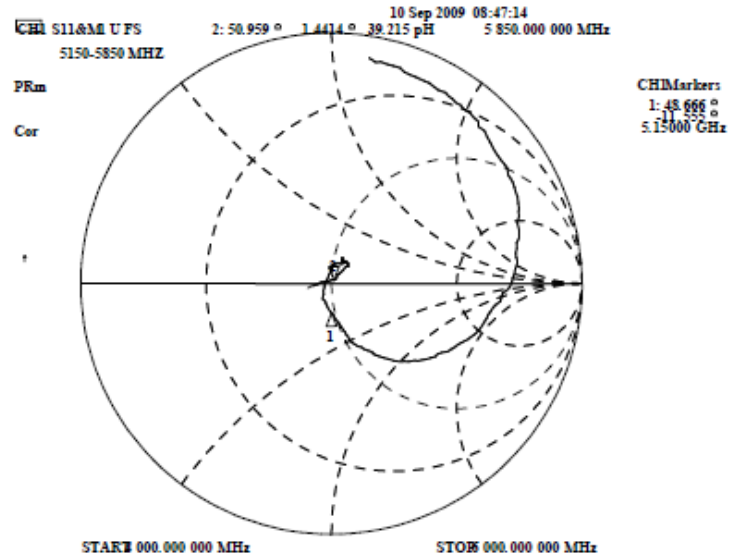
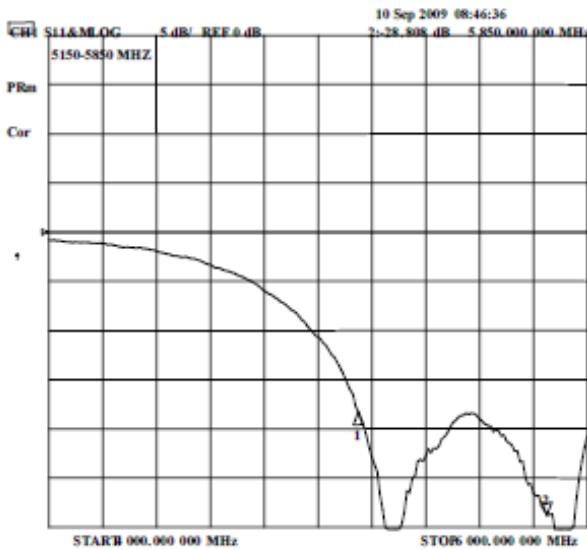
WLAN Ceramic Chip Antenna

Pulse Part Number SZ0318C

Typical Electrical Characteristics (T=25 ° C)

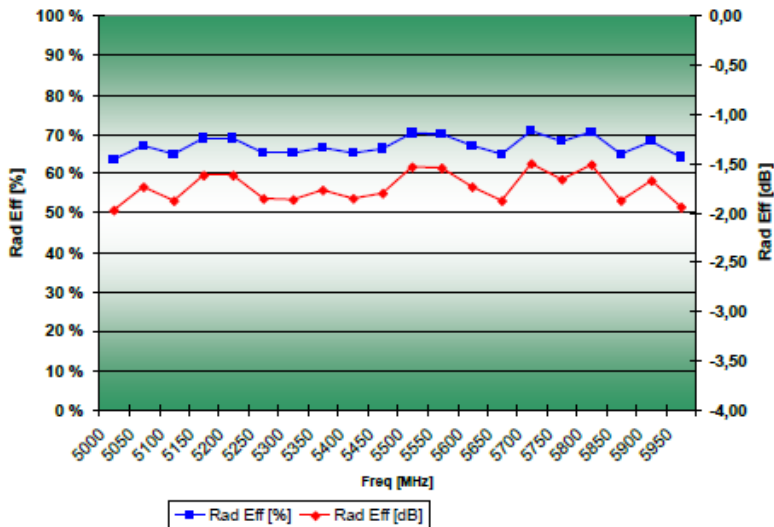
Measured on 37x80mm test board, Side center location, ground clearance area 4.25 x 5.25mm

Typical Return Loss and impedance

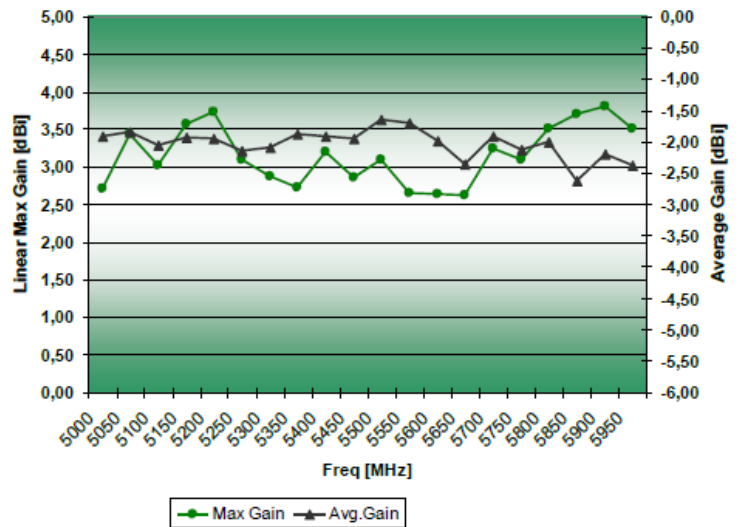


Free space efficiency and maximum gain

3D Total Efficiency



3D Max/Avg. Gain



Contact: mobiledeviceantenna.sales@pulseelectronics.com

