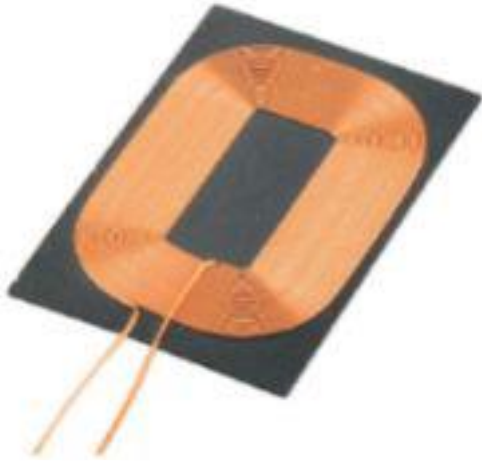


Track Shaped Receive Wireless Charge Coil

Pulse Part Number CWMRR147F-0



Features

- Magnetic Coil: antifreeze plate + coil
- Meet the Qi international standard, be customized according to order
- Ultrathin 、 compact 、 high efficiency 、 low heat
- Length and gap of the outgoing line is customizability

Application

- Mobile phone wireless charge

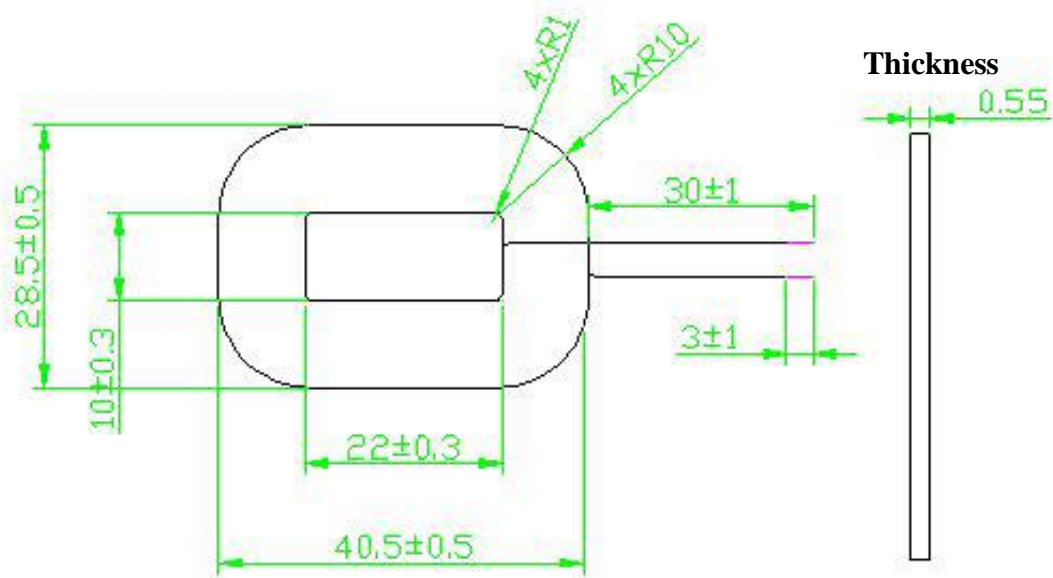
Electrical specifications

Output Voltage(V)	5
Maximum Output Current (mA)	800-1000(max)
Inductance(uH)	$12.5 \pm 10\%$
Internal Resistance (m Ω)	$200 \pm 10\%$
Wire Diameter (mm)	$0.3\text{mm} \pm 0.05(\text{double})$
Testing Environment	100KHZ 1V

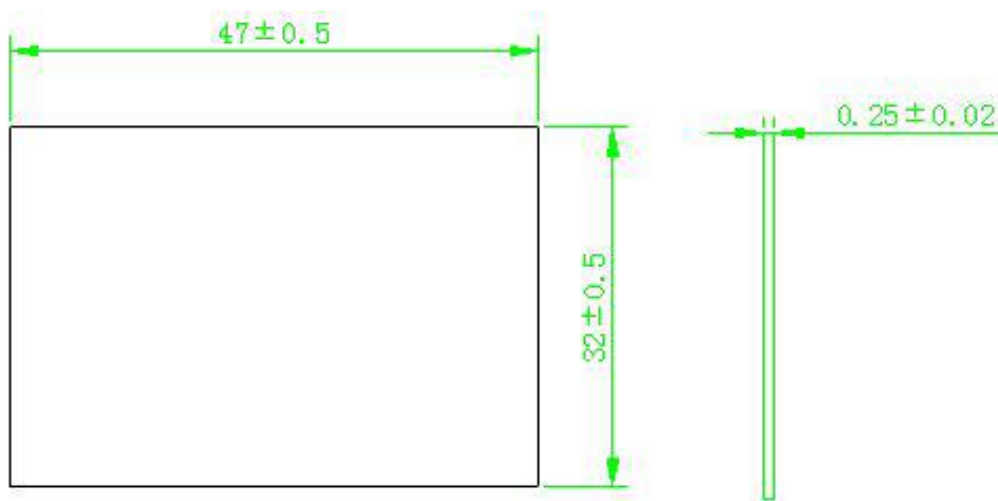
Track Shaped Receive Wireless Charge Coil

Pulse Part Number CWMRR147F-0

Mechanical dimensions



Coil



Antifreeze plate