

Track Shaped Receive Wireless Charge Coil

Pulse Part Number CWMRR126F-0



Features

- Magnetic Coil: antifreeze plate + coil
- Meet the Qi international standard, be customized according to order
- Ultrathin 、 compact 、 high efficiency 、 low heat
- Length and gap of the outgoing line is customizability

Application

- Wearable wireless charge

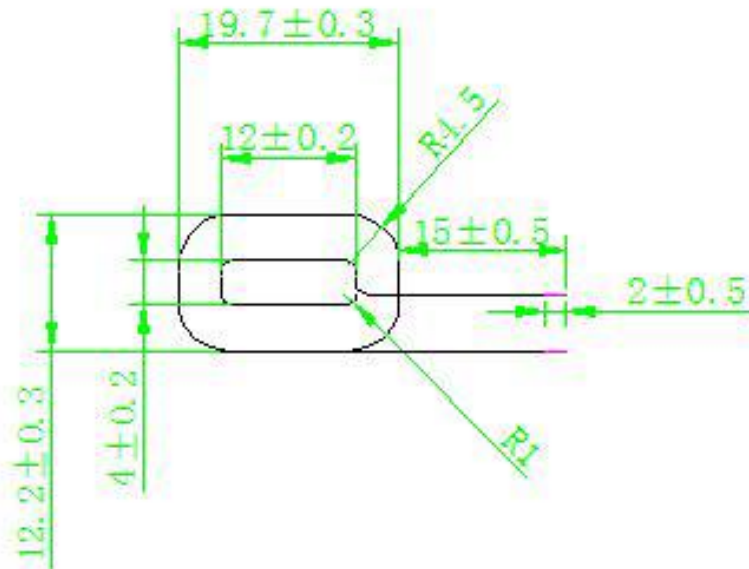
Electrical specifications

Output Voltage(V)	5
Maximum Output Current (mA)	50-200(max)
Inductance(uH)	$11.5 \pm 10\%$
Internal Resistance (mΩ)	$1.1 \pm 10\%$
Wire Diameter (mm)	$0.15\text{mm} \pm 0.05$
Testing Environment	100KHZ 1V

Track Shaped Receive Wireless Charge Coil

Pulse Part Number CWMRR126F-0

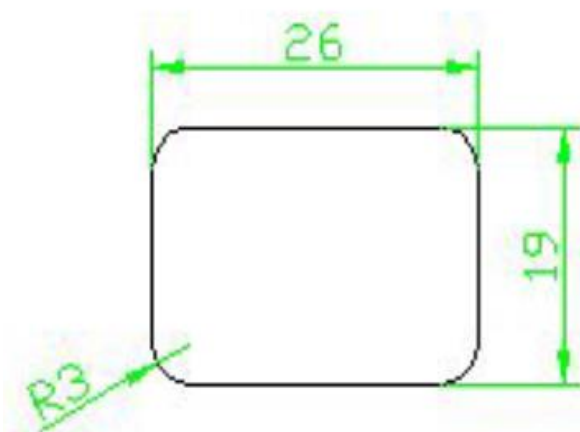
Mechanical dimensions



Thickness



Coil



Antifreeze plate