

# Standard Receive Wireless Charge Coil

Pulse Part Number CWMRR142F-0



## Features

- Magnetic Coil: antifreeze plate + coil
- Meet the Qi international standard, be customized according to order
- Ultrathin 、 compact 、 high efficiency 、 low heat
- Length and gap of the outgoing line is customizability

## Application

- Mobile phone wireless charge

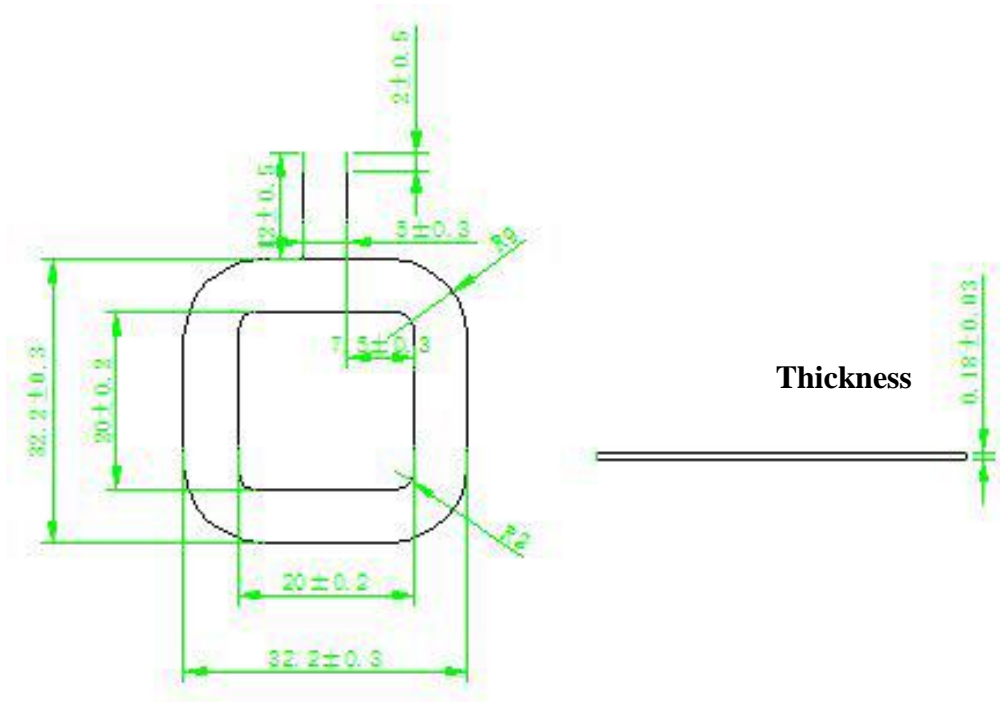
## Electrical specifications

Output Voltage(V)	5
Maximum Output Current (mA)	600(max)
Inductance(uH)	$12.5 \pm 10\%$
Internal Resistance (m $\Omega$ )	$600 \pm 10\%$
Wire Diameter (mm)	$0.15\text{mm} \pm 0.05(\text{triple})$
Testing Environment	100KHZ 1V

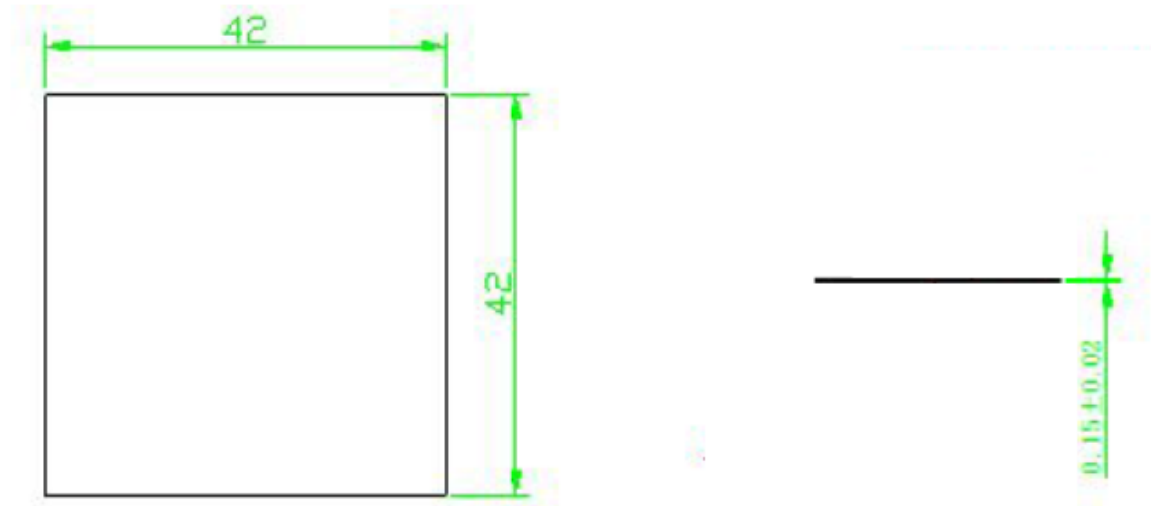
# Standard Receive Wireless Charge Coil

Pulse Part Number CWMRR142F-0

## Mechanical dimensions



Coil



Antifreeze plate