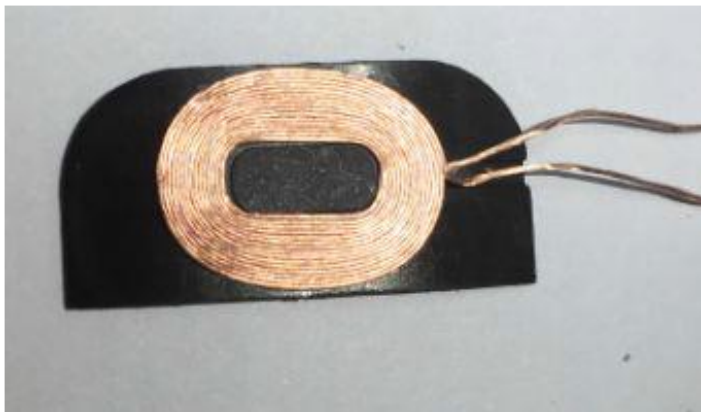


Smart Wearable Transmit Wireless Charge Coil

Pulse Part Number CWMRT144F-0



Features

- Magnetic Coil: antifreeze plate + coil
- Meet the Qi international standard
- Antifreeze film of transmitter is injection molding, make use of V-ON material, unzerbrechlich, breakageproof, every shape suitable
- Length and gap of the outgoing line is customizability

Application

- Wearable wireless charge

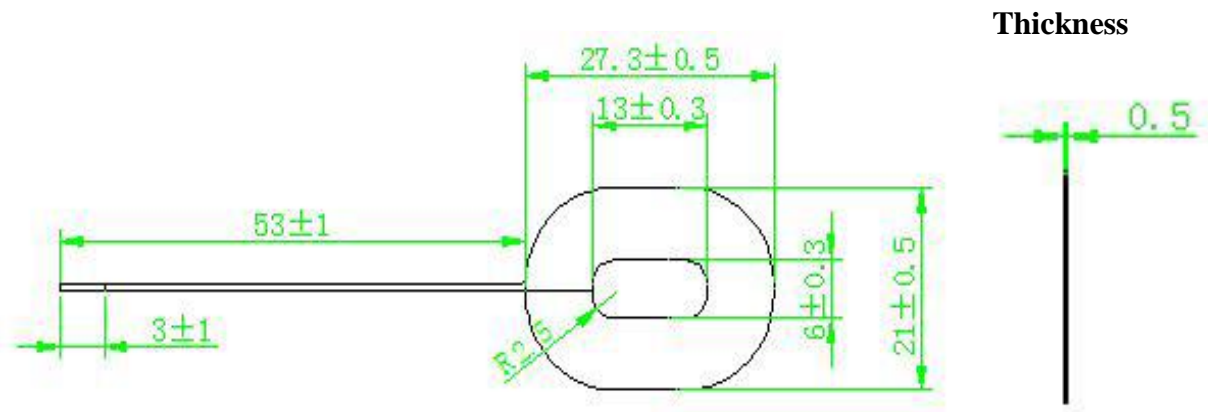
Electrical specifications

Standard Voltage(V)	5
Rated Current (A)	800(max)
Q factor	>70
Inductance(uH)	$6.8 \pm 10\%$
DC Resistance (mΩ)	$153 \pm 10\%$
Wire Diameter (mm)	0.08*24 strands cotton-insulated wire
Testing Environment	100KHZ 1V

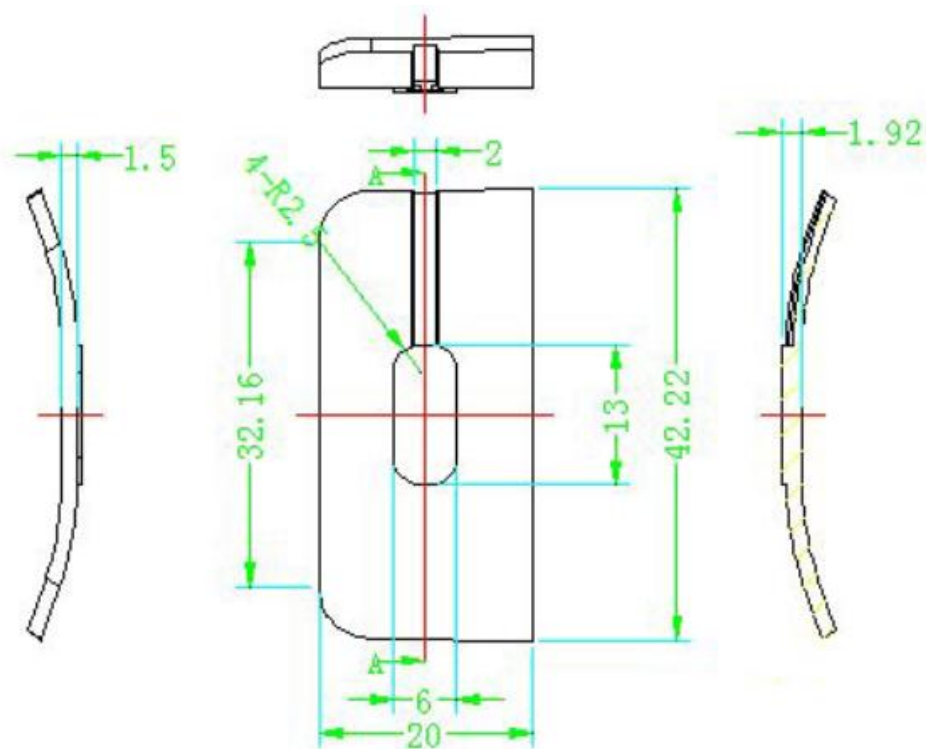
Smart Wearable Transmit Wireless Charge Coil

Pulse Part Number CWMRT144F-0

Mechanical dimensions



Coil



Antifreeze plate