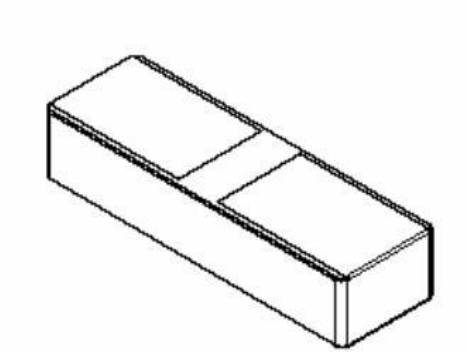


1.8GHz Rx Diversity Ceramic Antenna

Pulse Part Number CW3028



Features

- Omni directional radiation
- Low profile
- Compact size W x L x H (10 x 3.2 x 2 mm)
- Low weight (310 mg)
- Lead free materials
- Fully SMD compatible
- Lead free soldering compatible
- Tape and reel packing
- RoHS Compliant Product

Applications

- DCS
- 1.805 – 1.880GHz

Electrical specifications @ +25 ° C

Note: Electrical characteristics depend on test board (GP) size and antenna positioning on GP and Ground Clearance area size.

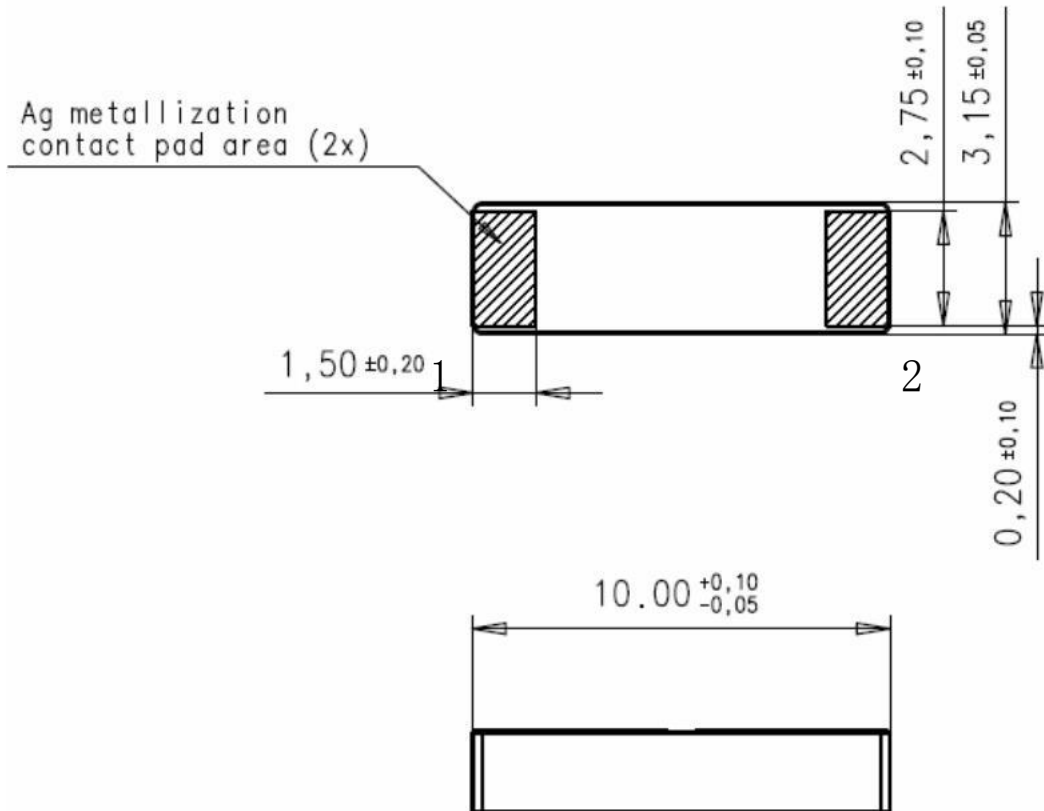
Typical performance (testboard size 80x37 mm, PWB ground clearance area 10.60 x 6.25 mm)

Frequency Range [MHz]	Linear Max Gain [dBi]	Return loss min. [dB]	Efficiency [%]/[dB]	Impedance [Ω]	Operating Temperature [$^{\circ}$ C]
1805 – 1880	2.5 (peak) 2 (band edges)	-9	80 / -1(peak) 70 / -1.55(band edges)	50	-40 to +85

1.8GHz Rx Diversity Ceramic Antenna

Pulse Part Number CW3028

Terminal Configuration and antenna dimensions

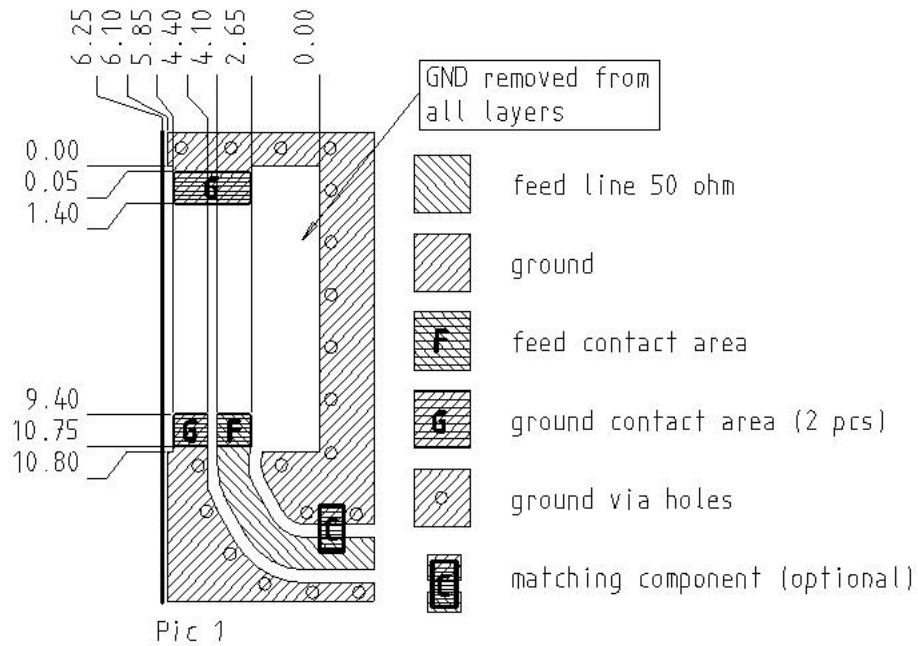


No.	Terminal Name	Terminal Dimensions
1	Feed / GND	1.5 x 2.75 mm
2	Feed / GND	1.5 x 2.75 mm
Antenna is symmetrical. Either of terminals 1 or 2 can be Feed / GND		

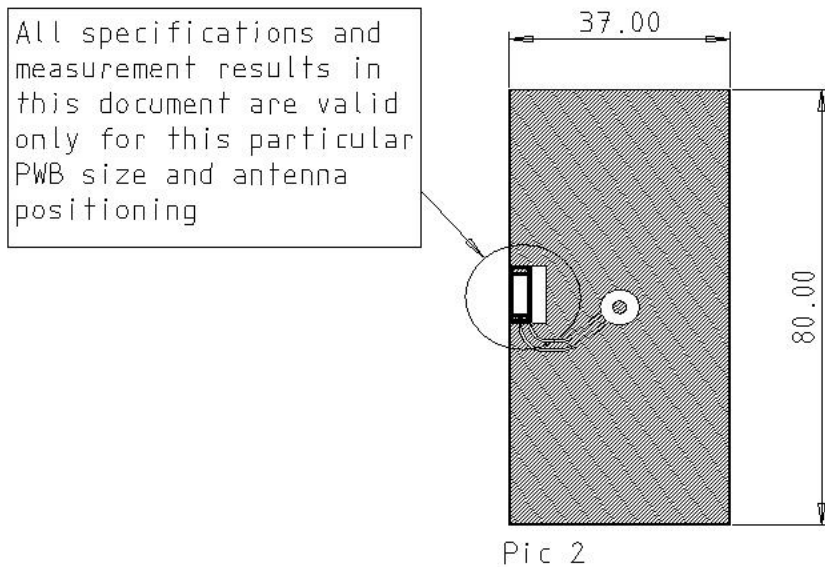
1.8GHz Rx Diversity Ceramic Antenna

Pulse Part Number CW3028

Recommended test board layout



Feed line should be designed to match 50 Ω characteristic impedance, depending on PWB material and thickness.



Matching and tuning component values depend on application and surrounding mechanics /materials.

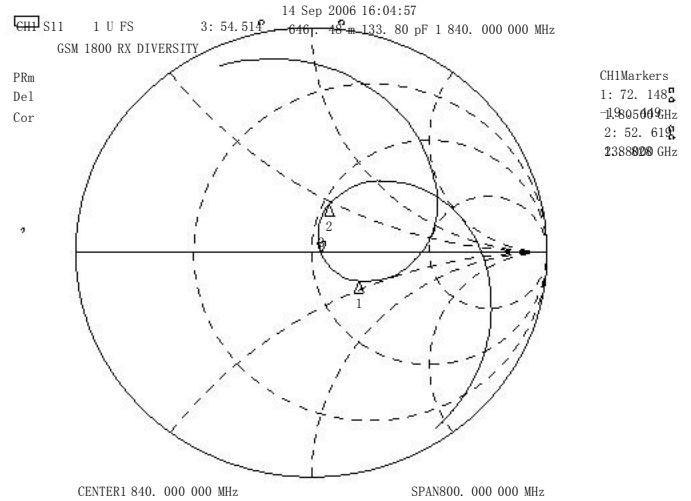
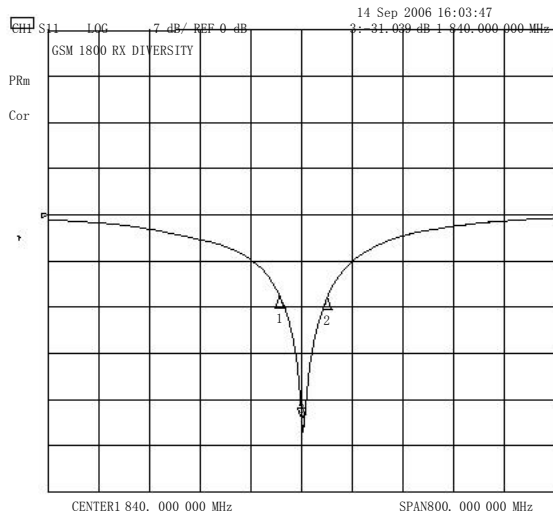
1.8GHz Rx Diversity Ceramic Antenna

Pulse Part Number CW3028

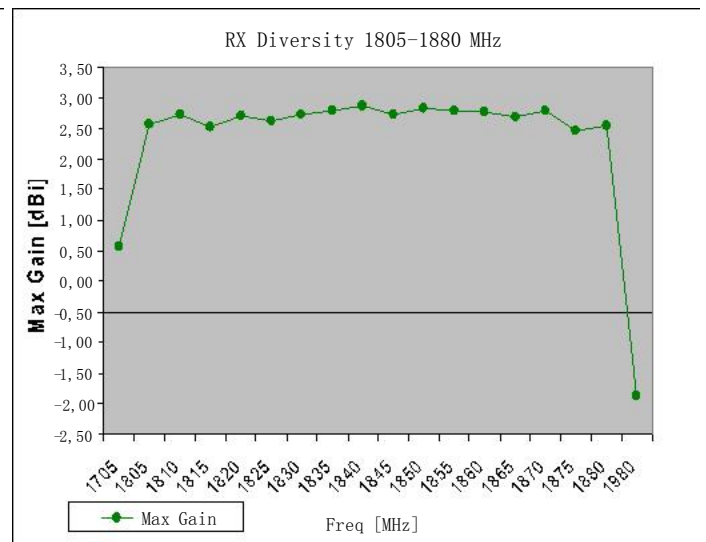
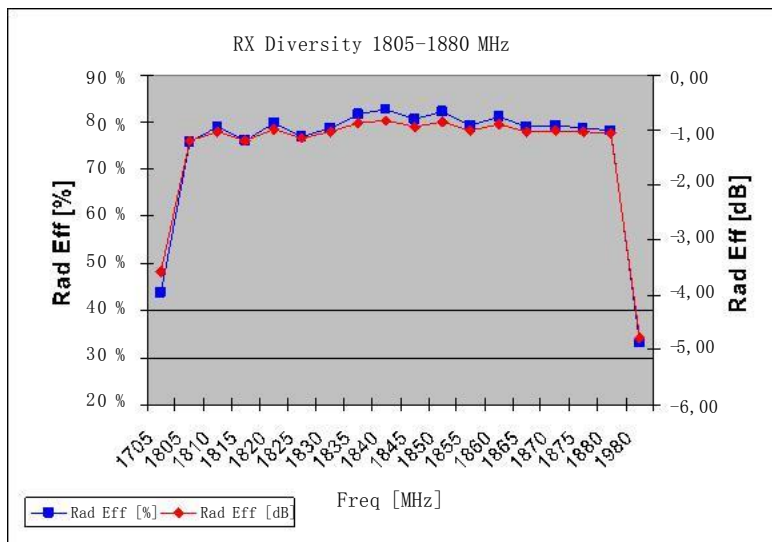
Typical Electrical Characteristics (T=25 °C)

Measured on the 80 x 37mm test board without matching circuit

Typical Return Loss S11/ impedance



Free space efficiency and maximum gain



Contact: mobiledeviceantenna.sales@pulseelectronics.com

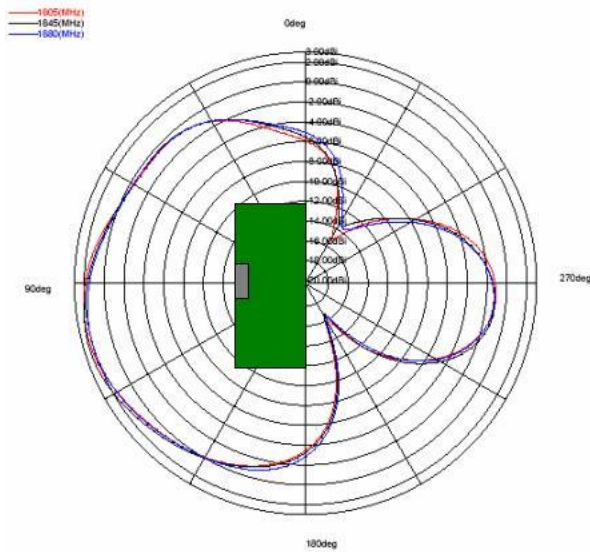


1.8GHz Rx Diversity Ceramic Antenna

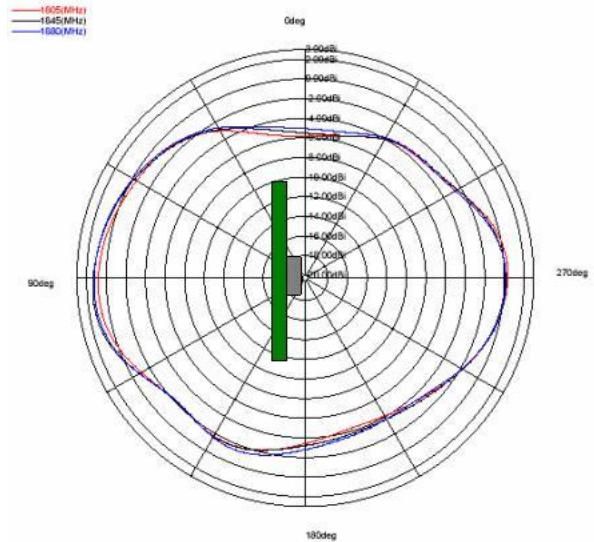
Pulse Part Number CW3028

Typical Free Space Radiation Patterns

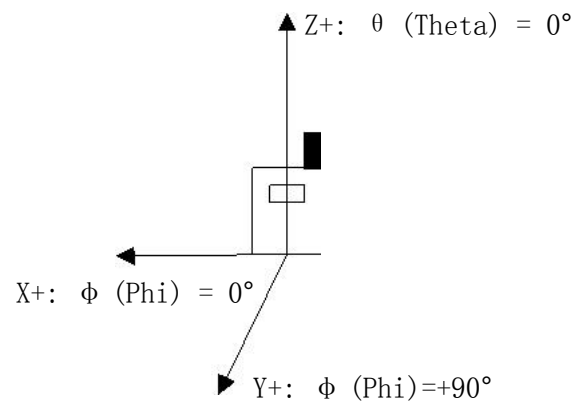
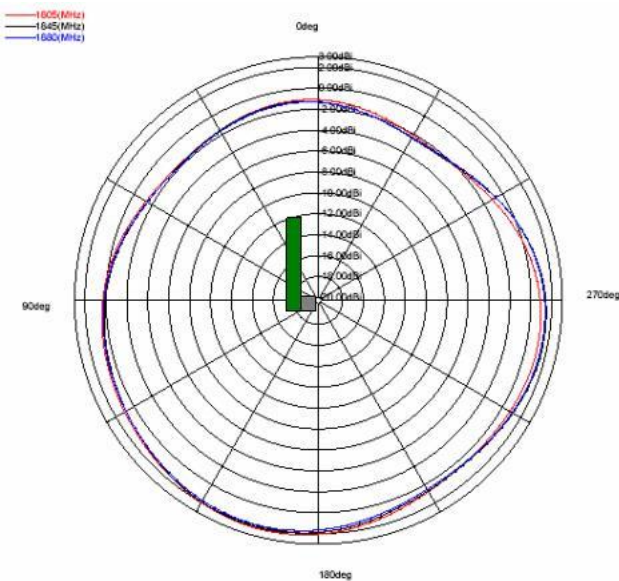
XZ-PLAN



ZY-PLANE



XY-PLANE



Contact: mobiledeviceantenna.sales@pulseelectronics.com