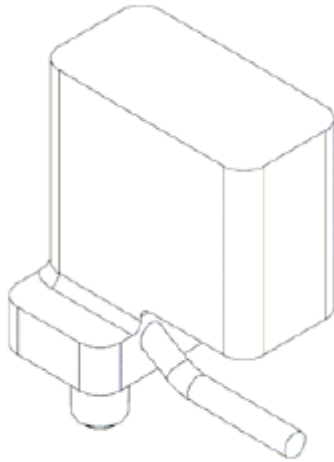


1.575GHz Helical GPS SMD Antenna

Pulse Part Number CW3110



Features

- Low profile (5.5mm)
- Compact size WxLxH (5.0 x 2.5 x 5.5 mm)
- Low weight (170 mg)
- Lead Free materials
- Fully SMD compatible
- Lead free soldering compatible
- Tape and reel packing
- RoHS Compliant Product

Applications

- 1.575 GHz L1 band GPS receivers

Electrical specifications @ +25 °C

Note: Electrical characteristics depend on test board (GP) size and antenna positioning on GP and Ground Clearance area size.

Typical performance (Testboard size 100x40 mm, PWB ground clearance area 7.50 x 5.50 mm, Measured inside device chassis including plastic covers and mechanics).

Frequency Range [MHz]	Linear Max Gain [dBi]	RHCP Gain [dBic]	Return loss min. [dB]	Efficiency [%]/[dB]	Impedance [Ω]	Operating Temperature [$^{\circ}$ C]
1575.42 +/-10	1.3(peak) 1.2(band edges)	-0.9(peak) -1.1(band edges)	-9	47/-3.2(peak) 45/-3.5(band edges)	50	-40 to +85

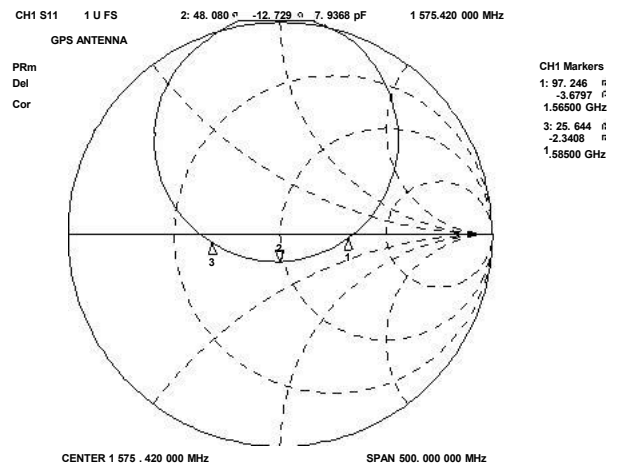
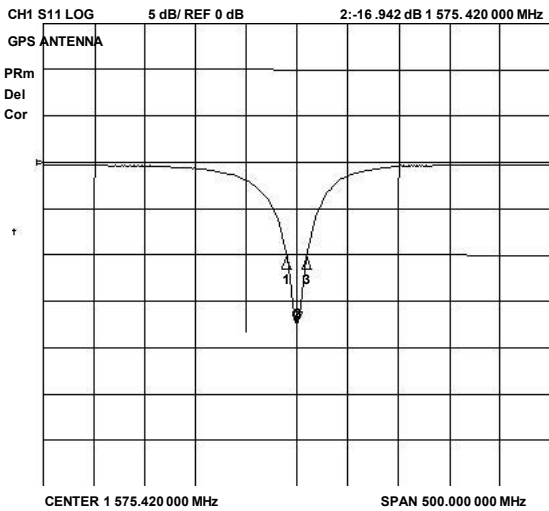
1.575GHz Helical GPS SMD Antenna

Pulse Part Number CW3110

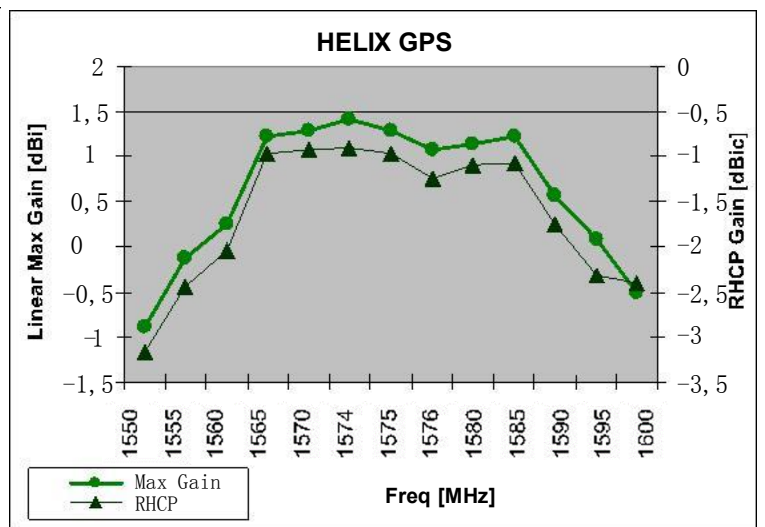
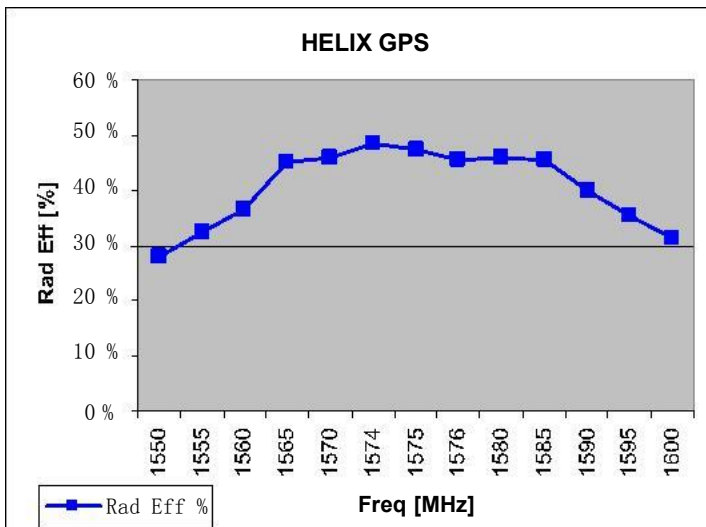
Typical Electrical Characteristics (T=25 °C)

Measured on basic chassis including PWB, display, battery and plastic covers. Chassis size abt. 17x40x100mm.

Typical Return Loss S11/ impedance



Free space efficiency and maximum gain



1.575GHz Helical GPS SMD Antenna

Pulse Part Number CW3110

Typical Free space Radiation Patterns

