



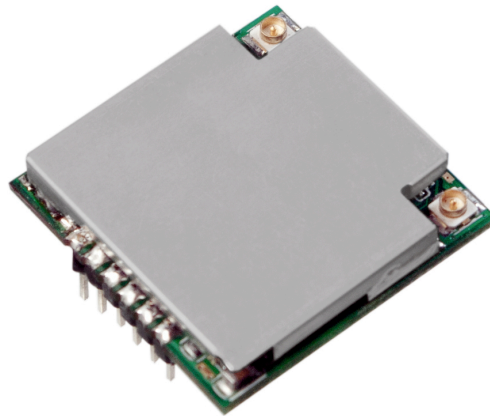
Specification
For
USB 802.11 b/g/n 2T2R WiFi
Bluetooth 4/3/2 Combo Module
TWR0083
Rev. 1.0

Specification are subject to change without notice.

Overview

TWR0083 is 802.11 b/g/n 2.4G 2T2R & Bluetooth 4.0/3.0/2.1 with USB2.0 combo module. It run up to 300Mbps 2.4G delivers superior WiFi output up to 16dBm and Bluetooth protocol. It use highly integrated SOC chip RTL8192EU and RTL8761AW.

TWR0083 provide high performance design for wireless connection with popular USB interface. It is good choose for high throughput networking and multimedia application. In addition, it also support security encryption through WPA, WPA2 ..and so on.



■ Feature

1. IEE 802.11 b/g/n 2T2R mode with support of 300Mbps PHY rate
2. 2x2 MIMO solution for 2.4GHz
3. Bluetooth 4.0 dual mode, Bluetooth 3.0 and Bluetooth 2.1
4. 802.11e Qos Enhancement (WMM, WMM-SA Client mode)
5. IEEE 802.11h TPC Spectrum Measurement
6. IEEE 802.11k Radio Resource Measurement
7. OFDM with BPSK, QPSK, 16QAM and 64 QAM modulation convolutional coding rating: 1/2, 2/3, 3/4 and 5/6
8. Security : IEEE 802.11i WPA, WPA2
9. Supports 802.11w protected managed frames
10. Support WPS
11. Supports Wi-Fi Direct
12. Antenna: Option for IPEX-I * 2
13. USB 2.0/1.1 USB-A type and 2.54-pitch 4 pin header (option) interface
14. Support Windows XP, Vista, Win 7, Win8, Win 10, Linux 2.6.x

■ Application

Desk-Top/Mini PC/Note-Book

Mobile, portable smart device

Set-top box/Media player

IP-Cam

Tablet

Blue-ray Disk

■ Property

Main Chip	Realtek RTL8192EU & RTL8761AW
WiFi Standard	IEEE 802.11 b/g/n
Bluetooth	V.4.0, V3.0, V2.1+EDR
Frequency	2.4~2.4835GHz
USB type	2.0/1.1
Modulation	OFDM/DBPSK/DQPSK/CCK/QPSK/16-QAM/64-QAM
Spectrum	DSSS
TX Power	54M: 14dBm
	11M: 17dBm
RX Sensitivity	54M: -70dBm @10% PER
	54M: -83dBm @10% PER
	6M: -86dBm @10% PER
	1M: -90dBm @10% PER
Antenna	IPEX-I * 2
Operating Voltage	3.3V, (Min:3.0V, Type: 3.3V, Max:3.6V)
Temperature	Operating:-5°C ~ 60°C Storage: -20°C ~ 80°C
Dimension	25x25x 3mm

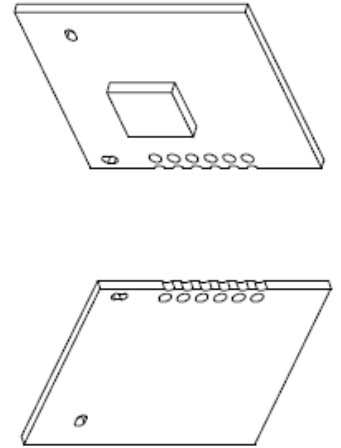
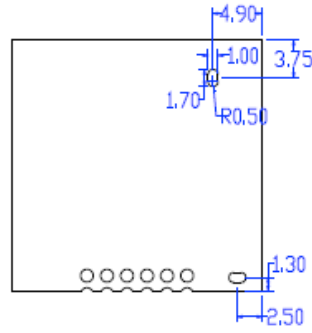
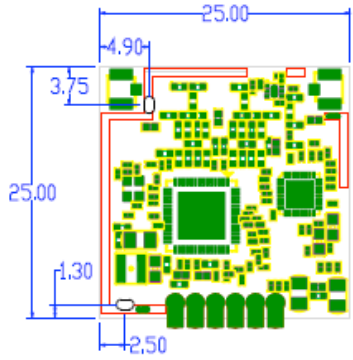
■ Platform

OS	CPU	Status
Windows (XP/Vista/Win7)	X86/X64	Ready
Linux 2.6 above	ARM, MIPS	Ready

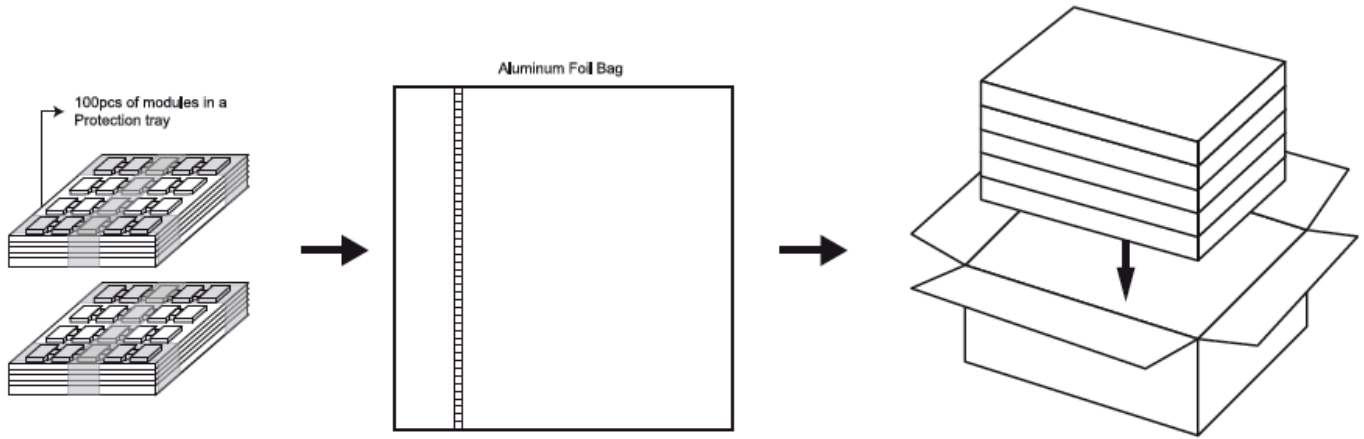
■ Pin out

Pin no.	Name	In/Out/P/G	Function
1	N1	G	NC
2	VDD	P	VDD Power
3	DM	I/O	USB D-
4	DP	I/O	USB D+
5	GND	G	Ground
6	N2	G	NC

■ Module Dimension

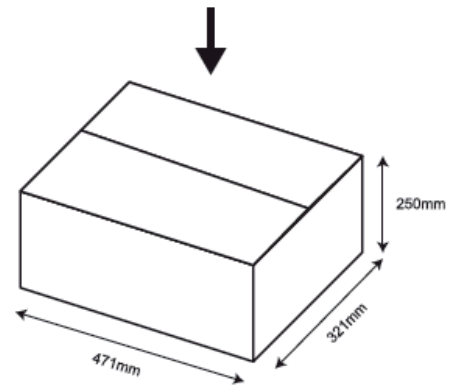


■ Module Packing



1. Pack 2 Protection trays (200pcs of modules) into an Aluminum Foil Bag. Seal the Aluminum Foil Bag.

2. Pack 5 Aluminum Foil Bags with the modules into a carton box (1000pcs in total).



Carton Size: 471 x 321 x 250mm
Q'TY: 1000 pcs

**Carton Box
Packing Instruction**