



Specification  
For  
USB 80211ac/a/b/g/n  
WiFi Module  
TWR0073  
Rev. 1.1

2012-2017 Pulse(Suzhou) Wireless Products Co., Ltd

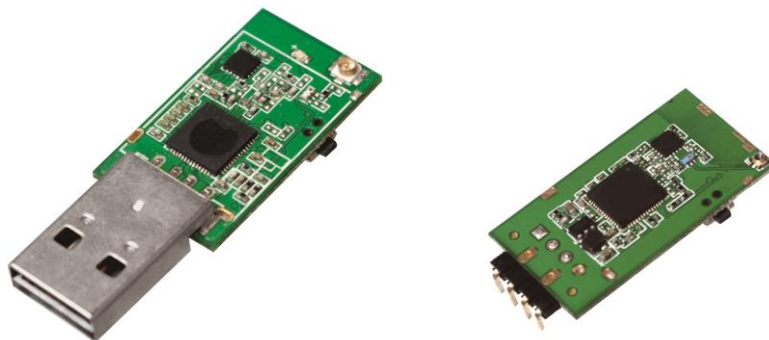
This document contain information that is proprietary to Pulse(Suzhou) Wireless Products Co., Ltd  
Unauthorized reproduction or disclosure of this information in whole or in part is strictly prohibited.

Specification are subject to change without notice.

## ■ Overview

TWR0073 is 802.11 ac/a/b/g/n 2.4G/5G dual band 1T1R USB2.0 module. It run up to 433Mbps (MCS9) 5G and 150Mbps 2.4G and delivers superior WiFi output up to 16dBm. It use highly integrated SOC chip MT7610UN.

TWR0073 have small form factor and high performance design for wireless connection with popular USB interface. It is good choose for high throughput networking and multimedia application. In addition, it not only support WPS for easy connection, but also support security encryption through WPA, WPA2 ..and so on.



## ■ Feature:

1. Dual band 1T1R mode with support of 433Mbps PHY rate
2. IEEE 802.11 a/b/g/n and 802.11ac client
3. Transmit Beamforming and STBC
4. QOS: WFA WMM, WMM PS
5. Security : WFA WPA/WPA2 personal, WAPI, WPS2.0
6. Integrate high efficiency switching regulator
7. Supports 802.11w protected managed frames
8. Support WPS
9. Supports Wi-Fi Direct
10. Antenna: IPEX antenna
11. USB 2.0/1.1 USB-A type and 2.54-pitch 4 pin header (option)  
interface
13. Support Windows XP, Vista, Win 7, Win8, Linux 2.6.x

## ■ Application:

Desk-Top/Mini PC/Note-Book

Mobile, portable smart device

Set-top box/Media player

Tablet

Blue-ray Disk

## ■ Property:

Main Chip	Mediatek MT7610U
WiFi Standard	IEEE 802.11 a/b/g/n/ac
Frequency	2.4~2.4835GHz 5.15GHz ~5.850GHz
USB type	2.0/1.1
Data Rates	11ac: MCS0 ~MCS9
	11n: MCS0~MCS7
	11a/g: 6~54 Mbps
	11b:1~11 Mbps
Modulation	802.11ac:OFDM(BPSK, QPSK, 16-QAM, 64-QAM, 256-QAM) 802.11a/n/g:(BPSK, QPSK, 16-QAM, 64-QAM) 802.11b:(DBSK,DQPSK,CCK)
TX power	802.11ac HT20: 12+/-1.5dBm@MCS8 802.11ac HT40: 12+/-1.5dBm@MCS9 802.11ac HT80: 12+/-1.5dBm@MCS9 802.11a/g: 12 +/-1.5dBm@54Mbps

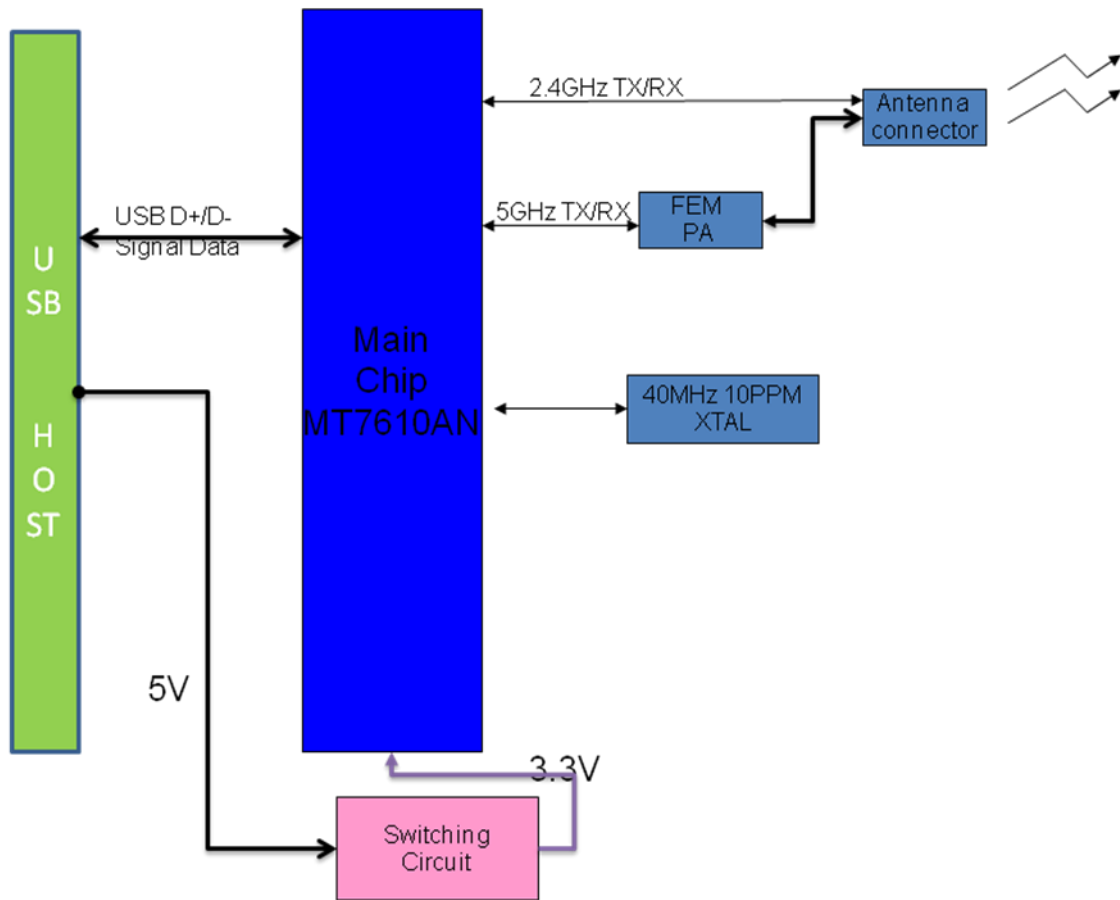
	<p>802.11gn HT20: 12+/-1.5dBm@MCS7              802.11gn HT40: 12+/-1.5dBm@MCS7              802.11an HT20: 12+/-1.5dBm@MCS7              802.11an HT20: 12+/-1.5dBm@MCS7              802.11b: 15+/-1.5dBm@11Mbps</p>
RX Sensitivity	<p>802.11ac: -59dBm+/-2dBm @HT20 MCS8              802.11ac: -56dBm+/-2dBm @HT40 MCS9              802.11ac: -51dBm+/-2dBm @HT80 MCS9              802.11n: -66dBm+/-2dBm @HT20 MCS7              802.11n: -63dBm+/-2dBm @HT40 MCS7              802.11a/g:-67dBm+/-2dBm@54Mbps              802.11b:-73dBm+/-2dBm@11Mbps</p>
Power Consumption	<p>Idle : 38mA              Continue RX: 240mA              Continue TX: 355mA</p>
Environment	<p>Operation Temperature Range -5~50°C              Storing Temperature Range -10~70°C              Operation Humidity: 5% ~ 90%              Storing Humidity: 5% ~ 90%</p>

## ■ Pin out:

Pin no.	Name	In/Out/P/G	Function
1	DC	P	5V power input
2	DM	I/O	USB D-
3	DP	I/O	USB D+
4	GND	G	Ground pin

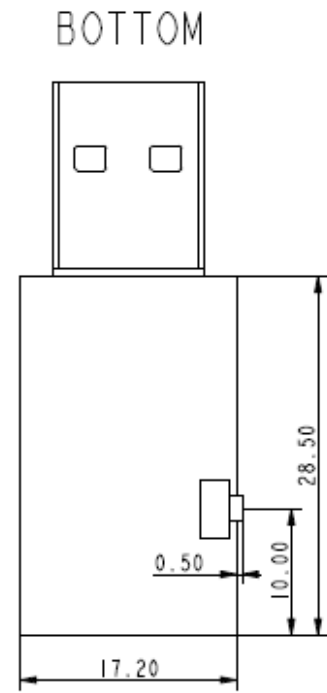
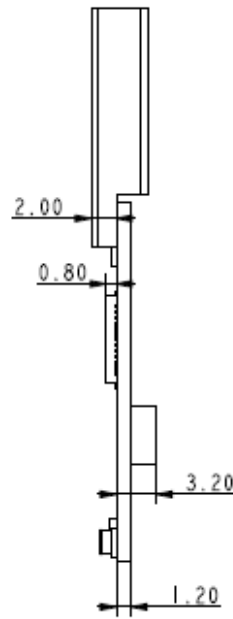
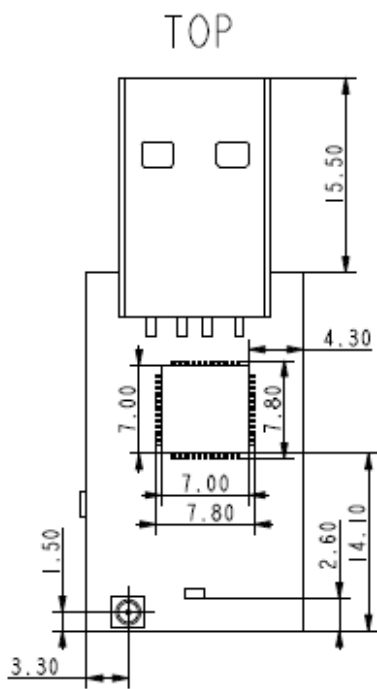
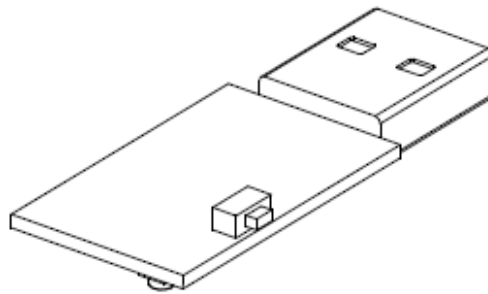
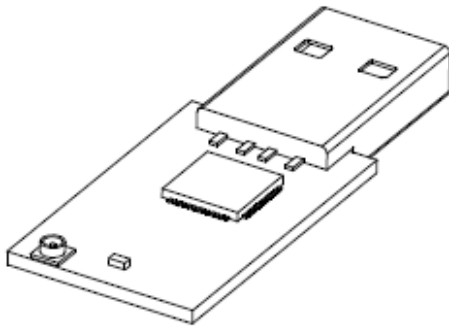
# ■ Function Block Diag.

## UW2001 Module Function Block Diag.

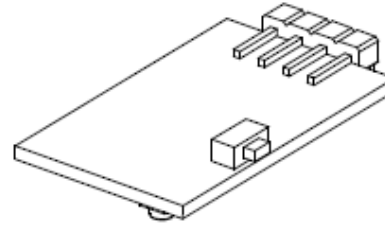
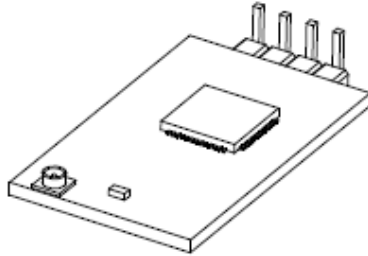


## ■ Module PCB Dimension:

### USB A Type:

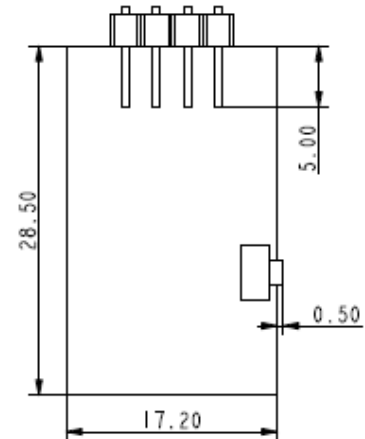
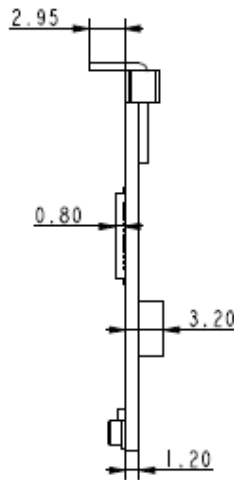
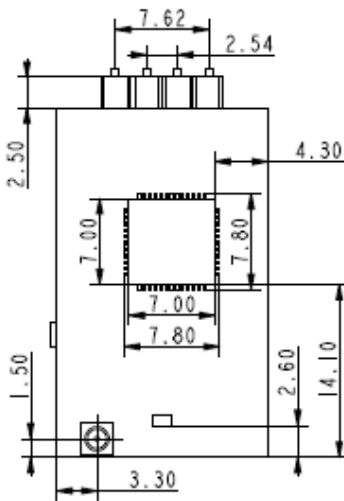


# DIP-4 2.54 Type:



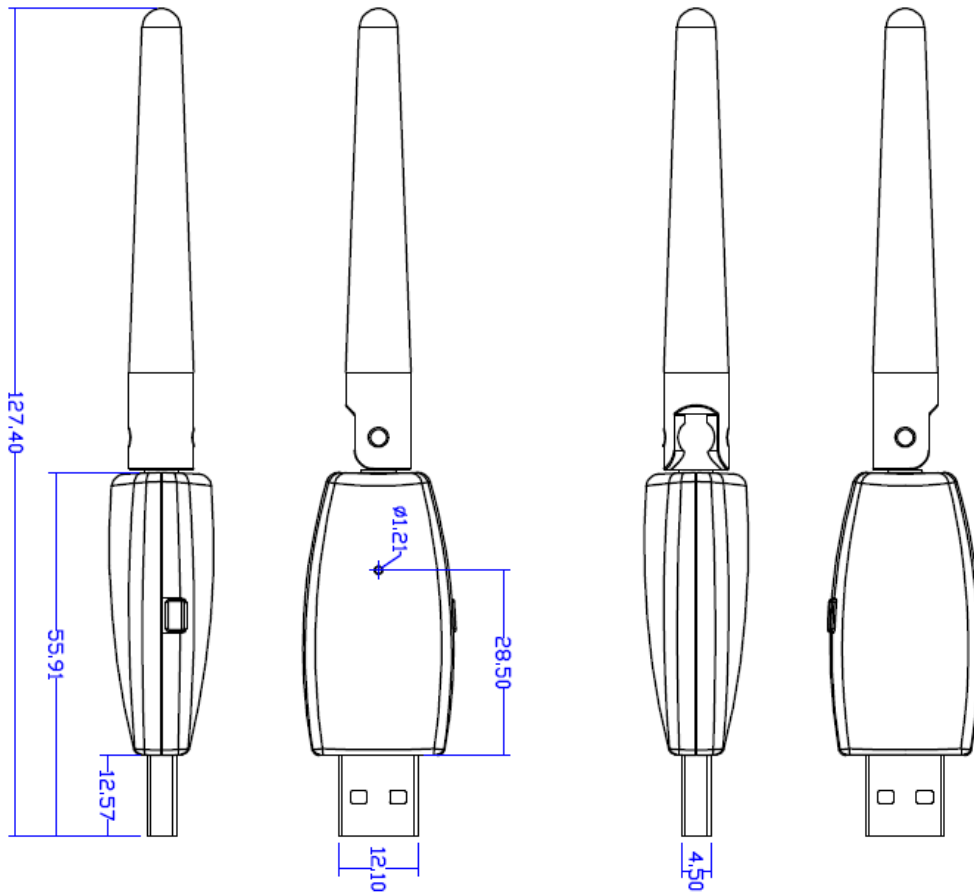
TOP

BOTTOM



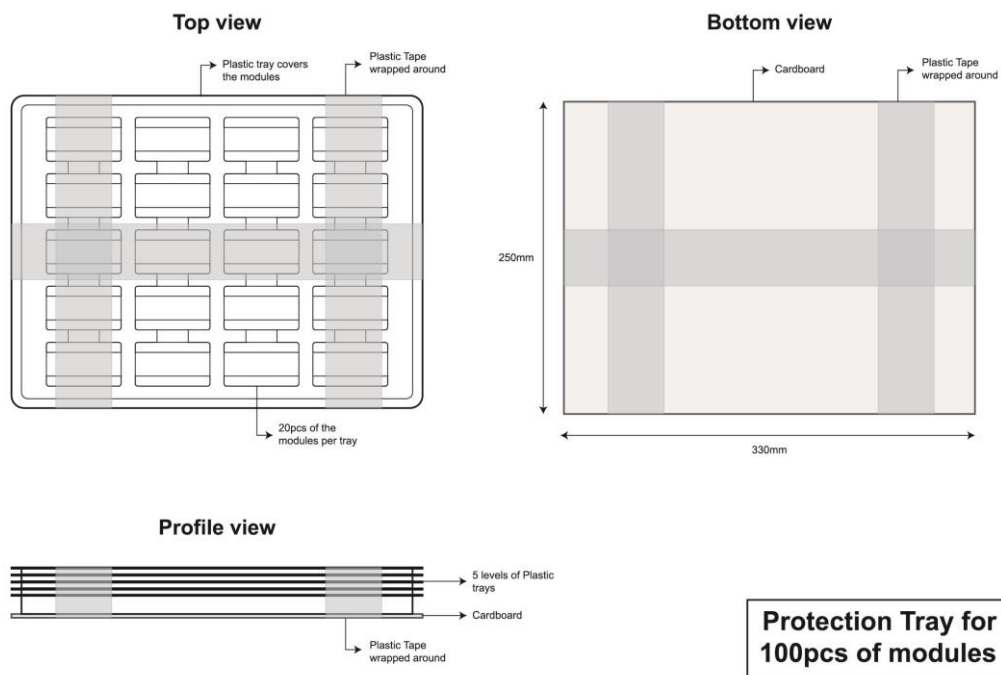


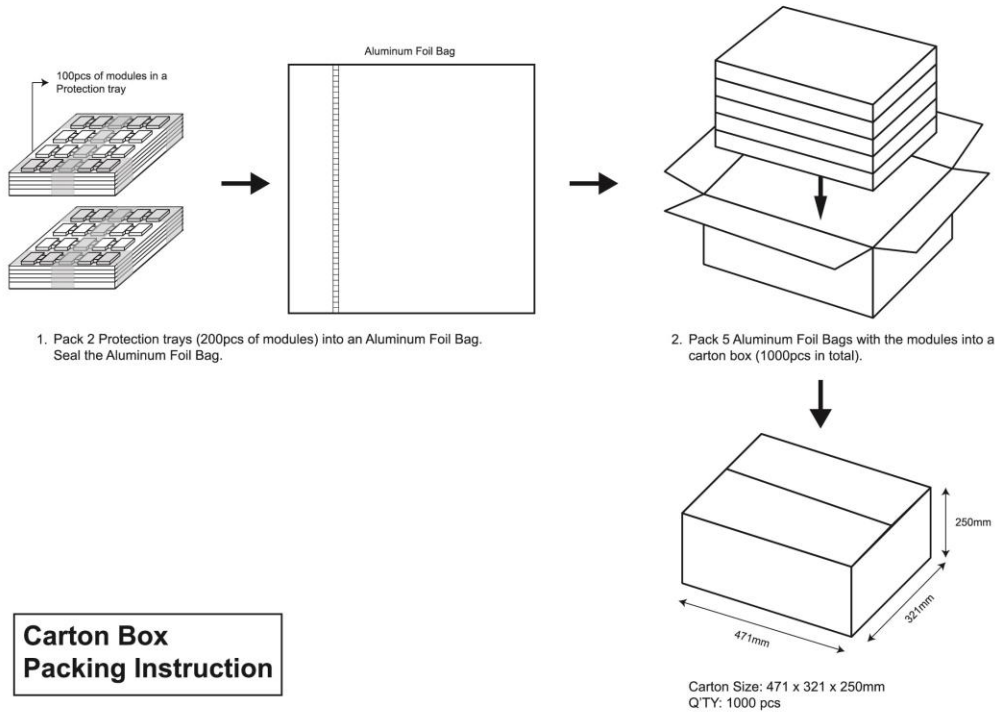
## ME case dimension

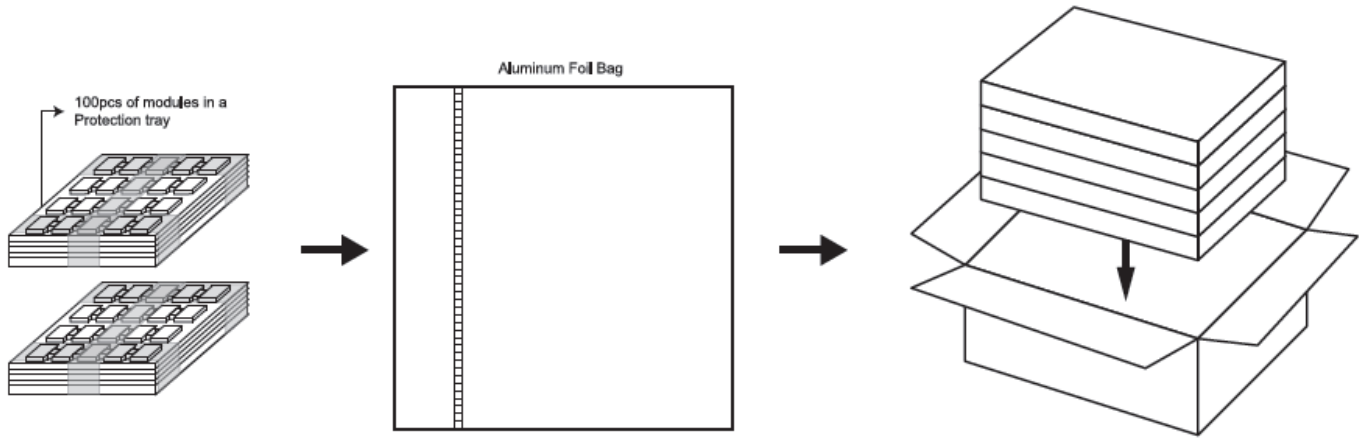




## ■ Module Packing







1. Pack 2 Protection trays (200pcs of modules) into an Aluminum Foil Bag. Seal the Aluminum Foil Bag.

2. Pack 5 Aluminum Foil Bags with the modules into a carton box (1000pcs in total).

**Carton Box  
Packing Instruction**

Carton Size: 471 x 321 x 250mm  
Q'TY: 1000 pcs